

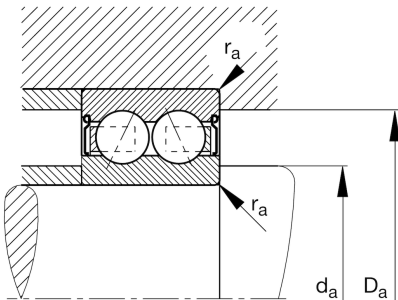
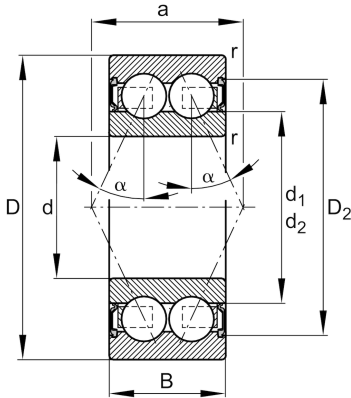
## 3002-2RS

Angular contact ball bearing

Schaeffler ID:  
0008710100000

Angular contact ball bearing 30..-B-2RS-TVH, double row, seals, plastic cage

### Technical information



### Main Dimensions & Performance Data

d	15 mm	Bore diameter
D	32 mm	Outside diameter
B	13 mm	Width
$C_r$	8,500 N	Basic dynamic load rating, radial
$C_{0r}$	5,400 N	Basic static load rating, radial
$C_{ur}$	290 N	Fatigue load limit, radial
$n_G$	13,000 1/min	Limiting speed
	0.042 kg	Weight

### Dimensions

$r_{min}$	0.3 mm	Minimum chamfer dimension
$D_2$	27.9 mm	Caliber diameter outer ring
$d_2$	19.7 mm	Caliber diameter inner ring
a	18.4 mm	Distance between the apexes of the pressure cones
$\alpha$	25 °	Contact angle

### Mounting dimensions

$d_{a min}$	17 mm	Minimum diameter shaft shoulder
$D_{a max}$	30 mm	Maximum diameter of housing shoulder
$r_{a max}$	0.3 mm	Maximum fillet radius

### Temperature range

$T_{min}$	-20 °C	Operating temperature min.
$T_{max}$	100 °C	Operating temperature max.